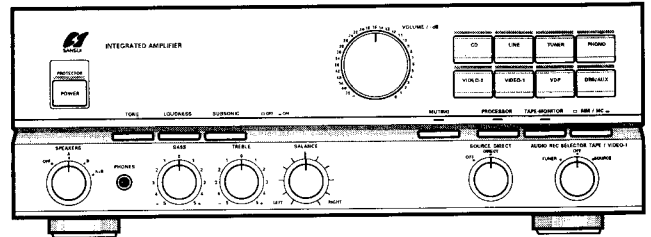




SERVICE MANUAL

AU-X611AV AU-α555VS INTEGRATED AMPLIFIER



* AU-X611AV is a model for markets outside Japan.
AU-X611AVは、海外向製品です。

* AU-α555VS is a model for the Japanese market.
AU-α555VSは、日本向製品です。

CAUTION (注意)

- Parts identified by the Δ symbol on the schematic diagram and the parts list are critical for safety. Use only replacement parts that have critical characteristics recommended by the manufacturer.
 Δ 印がついている部品は、安全性を維持するために、重要な部品です。これらの部品を交換する際には、必ず指定された部品を使用してください。
- Make leakage-current or resistance measurements to determine that exposed parts are acceptably insulated from the supply circuit before returning the appliance to the customer.

NOTICE

The symbols, OO, UL, CSA, EU, SS, and XX on the Parts list and the schematic diagram mean followings respectively.

- OO Manufactured for Japanese market.
日本向製品専用部品には、「OO」のマークが付いています。
- UL Manufactured for U.S.A. market.
(Underwriters Laboratories approved model.)
- CSA Manufactured for Canadian market.
- EU Manufactured for European market.
- SS Manufactured for Saudi Arabian market.
- XX(EXPORT) ... Standard Version.
- NON MARK Common Parts. (マークの無い部品は、全仕向け共通です。)

• Specifications

• AU-X611AV

Audio section

Power output

Min. RMS, both channels driven, from 20 to 20,000 Hz, with no more than 0.008% total harmonic distortion.
80 watts per channel into 8 ohms.

DIN

130 watts per channel into 4 ohms.

Load impedance 4 to 16 ohms

Intermodulation distortion (60 Hz: 7 kHz = 4:1 SMPTE method)
..... less than 0.008% at rated power output

Frequency response (at 1 watt)

Overall (from CD) DC to 100,000 Hz, +0 dB, -3 dB

RIAA curve deviation (PHONO-MM, 20 Hz to 20 kHz)

..... +0.5 dB, -0.5 dB

Input sensitivity and impedance (at 1 kHz)

PHONO (MC) 300 μ V/100 ohms

PHONO (MM) 2.5 mV/47 kohms

CD, TUNER, LINE, TAPE 150 mV/47 kohms

VIDEO-1, -2, VDP, DBS/AUX 150 mV/47 kohms

Output level (1,000 Hz)

TAPE/REC 150 mV/47 kohms

Signal to noise ratio (short-circuit, A-network)

PHONO (MC) 70 dB

PHONO (MM) 85 dB

CD, TUNER, LINE, TAPE 100 dB

Controls and Filter

BASS \pm 8 dB at 50 Hz

TREBLE \pm 8 dB at 10 kHz

SUBSONIC -3 dB at 16 Hz (6 dB/oct)

MUTING -20 dB

LOUDNESS +10 dB at 50 Hz
(VOLUME: -30 dB position) +5 dB at 10 kHz

Video section

Sensitivity / impedance

Video input 1.0 V / 75 ohms

Video output 1.0 V / 75 ohms

Others

Power requirements AC 120 V/220 V/240 V,
50/60 Hz

For U.S.A. & Canada AC 120V, 60 Hz

Power consumption 430 watts 540 VA Rated
690 watts Maximum

Dimensions 430 mm (16-15/16") W
160mm (6-5/16") H

390 mm (15-3/8") D

Weight 11.0 kg (29.8 lbs) net

12.5kg (31.5 lbs) packed

Accessories

Remote controller 1

Dry batteries (SUM-3) 2

* Design and specifications subject to change without notice for improvements.

* Due to local laws and regulations, this unit sold in some areas are not equipped with variable voltage selectors.

● 規格(AU-α555VS)

[パワーアンプ部]

帯域実効出力 (10Hz~20kHz, 両チャンネル同時動作)
 8Ω80W+80W
 6Ω90W+90W
 全高調波歪率 (10Hz~20kHz)
 8Ω (実効出力時)0.008%以下
 6Ω (1/2実効出力時)0.008%以下
 周波数特性 (1W)DC~100kHz±3dB
 負荷インピーダンス6~16Ω
 SN比 (Aネットワーク, ショートサーキット)100dB以上

[プリアンプ部]

入力感度/入力インピーダンス (1,000Hz)
 PHONO (MC)300μV/100Ω
 PHONO (MM)2.5mV/47kΩ
 TUNER, CD, LINE, TAPE150mV/47kΩ
 VIDEO-1, VIDEO-2, VDP, DBS/AUX150mV/47kΩ
 最大許容入力 (1,000Hz)
 PHONO (MC, 全高調波歪率: 0.3%)15mV
 PHONO (MM, 全高調波歪率: 0.03%)150mV
 出力電圧 (1,000Hz)
 TAPE/REC150mV
 周波数特性 (1W)
 PHONO (MM)
 (RIAA偏差)20Hz~20kHz±0.5dB (REC OUT)
 TUNER, CD, LINE, TAPEDC~100kHz±3dB

SN比 (Aネットワーク, ショートサーキット)

PHONO (MC)70dB以上
 PHONO (MM)85dB以上
 TUNER, CD, LINE, TAPE100dB以上
 チャンネルセパレーション (1,000Hz)
 PHONO (MC)65dB以上
 PHONO (MM)70dB以上
 TUNER, CD, LINE, TAPE80dB以上
 トーンコントロール
 BASS最大変化量+8dB, -8dB (50Hz)
 TREBLE最大変化量+8dB, -8dB (10kHz)
 サブソニックフィルター16Hz (-3dB) 6dB/oct
 ラウドネス (音量: -30dB時)
+10dB (50Hz)/+5dB (10kHz)
 オーディオミュート-20dB

[ビデオ部]

ビデオ入力感度/インピーダンス1.0V_{p-p}/75Ω (不平衡)
 ビデオ出力レベル/インピーダンス1.0V_{p-p}/75Ω (不平衡)

[その他]

電源電圧100V
 電源周波数50Hz/60Hz
 定格消費電力 (電気用品取締法)175W
 寸法幅430mm/高さ160mm×奥行390mm
 重量11.0kg (本体のみ)

付属品

リモートコントローラ 1
 単3乾電池 (SUM-3) 2

*改良のため、予告なく意匠、仕様の一部を変更することがあります。

1. ADJUSTMENTS (Refer to Top View on page 8. 8ページのTop View参照.)

- Note: 1) Master Volume Minimum
 2) Room Temperature 18°C ~ 28°C (65°F ~ 83°F)
 3) For this adjustment, run the unit for more than 10

条件: 1. 周囲温度 18°C ~ 28°C

2. 電源投入後、マスターVR最小に於て10分以上経過してから調

minutes after the power is switched ON.

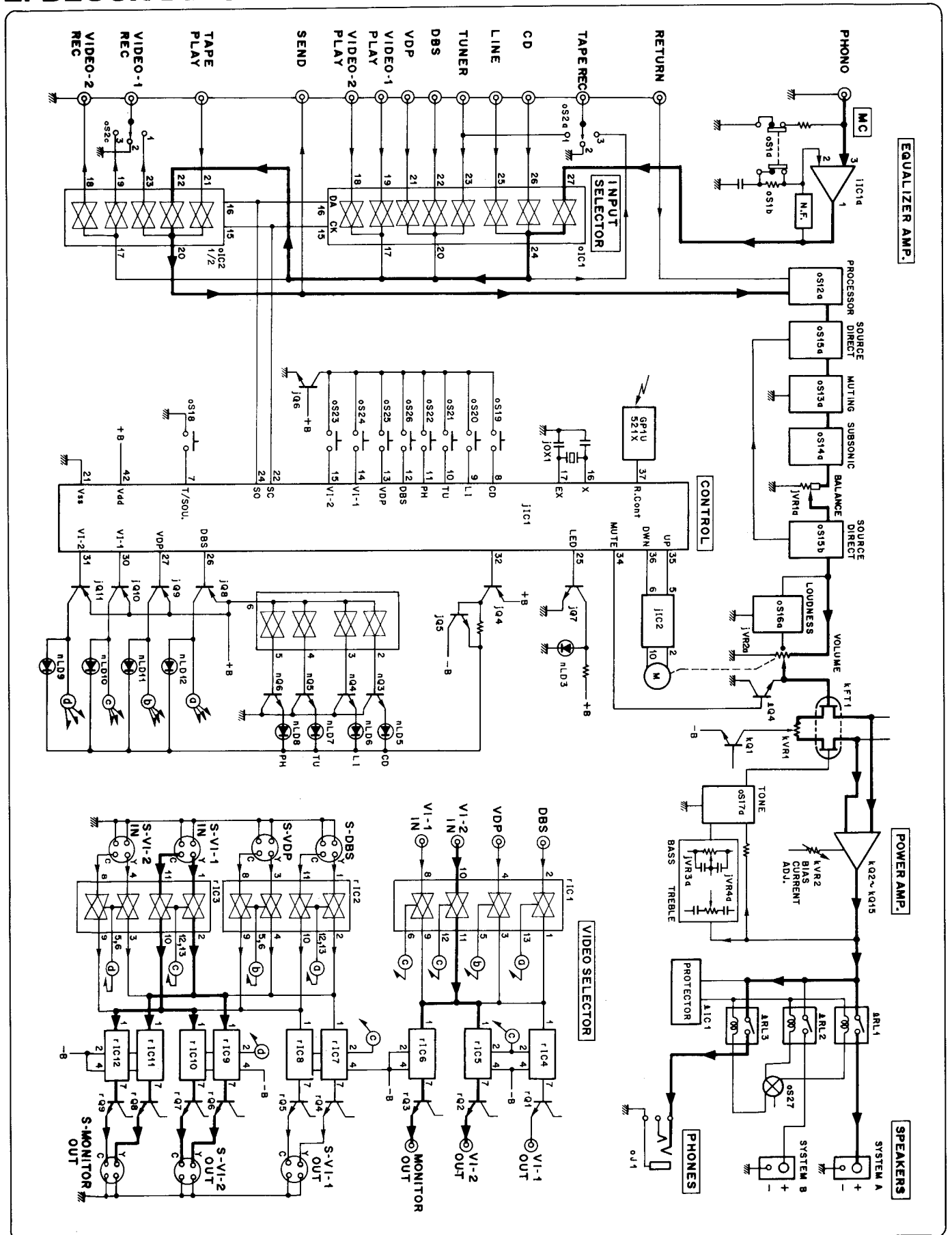
- 4) Before turning ON power switch, set the kVR2 on F-6330 to center position.

整を行う。

3. 電源を入れる前にKVR2を機械的センターにする。

STEP ステップ	SUBJECT 項目	MEASURE OUTPUT 接続箇所	ADJUST 調整箇所	ADJUST FOR 調整	REMARKS 備考
1.	Center DC 0V Adj. <L-ch>	Speakers Terminal <L-ch> DC Volt Meter	kVR1 <L-ch> F-6330	DC 0±30mV	
2.	Center DC 0V Adj. <R-ch>	Speakers Terminal <R-ch> DC Volt Meter	kVR1 <R-ch> F-6330	DC 0±30mV	
3.	Bias Current Adj. <L-ch>	Test Terminal (TP, L-ch), DC Volt Meter	kVR2 <L-ch> F-6330	DC 6.6±3mV	•This bias value is converted from current value to voltage by ohms law.
4.	Bias Current Adj. <R-ch>	Test Terminal (TP, R-ch), DC Volt Meter	kVR2 <R-ch> F-6330	DC 6.6±3mV	●バイアス電流値を電圧値に変換して測定している。

2. BLOCK DIAGRAM



3. PARTS LIST OF BOARD

Note

- Some printed circuit board are not supplied assembled.
To separate these in this service manual, the stock numbers are not indicated for these boards. However, stock numbers for individual parts are indicated.
- Since some capacitors and resistors are omitted from parts lists in this service manual, refer to the Common Parts List for capacitors and resistors, which was issued on June 1987.
- Abbreviations in this Parts List are as follows.
 - プリント基板の中には、アッセンブリー供給できないものがあります。基板番号の後にストック番号の付いていないものは、アッセンブリー供給できませんのでご注意ください。ただし、基板上の個々の部品については供給いたします。
 - 部品表には記載されていない抵抗・コンデンサーがあります。それらについては、1987年3月発行の新規標準抵抗・コンデンサーパーツリストを参照してください。
 - このマニュアルには、略語が使用されております。それらについては下記の略語表を参照してください。

•Abbreviations List

N.I.R.	: Non-Inflammable Resistor
Ce.R.	: Cement Resistor
A.R.	: Array Resistor
C.C.	: Ceramic Capacitor
E.C.	: Electrolytic Capacitor
E.B.	: Bi-Polar Electrolytic Capacitor
V.R.	: Variable Resistor
S.V.R.	: Semi Variable Resistor
SW.	: Switch

3-1. F-6317 INPUT Terminal & EQ Amp. Board

<Stock No. 01200601=XX, SS, UL, CSA, EU/01200600=00>

Parts No.	Stock No.	Description
•IC		
iIC1	46579100 or 49357100	M5219L NJM4580L
Δ iR11, 12	46402600	33Ω 1/2W N.I.R.
•Transistor		
jQ1	46367101	2SC2603
jQ2	46367101	2SC2603
jQ3	46367101	2SC2603
jQ4	46367001	2SA1115
jQ5	46367101	2SC2603
jQ6	46367101 or 46367301	2SC2603 2SC2458
jQ7	46367101	2SC2603
jQ8	46367001	2SA1115
jQ9	46367001	2SA1115
jQ10	46367001	2SA1115
jQ11	46367001	2SA1115
•IC		
jIC1	49475600	MB88503H-1122K
jIC2	48982600	LB1641
jOX1	49476600	Quartz Element
•Diode		
jD1	46464100	1SS133
jD2	46464100	1SS133
jD3	46464100	1SS133
jD4	48123600	11E2

<F-6317>

Parts No.	Stock No.	Description
jD5	46464100	1SS133
jD6	46464100	1SS133
•Zener Diode		
jDZ1	49303500 or 49303600	05AZ6.8-X 05AZ6.8-Y
jC28	49476400	27μF 5.5V E.C.
•Transistor		
nQ3	46367101	2SC2603
nQ4	46367101	2SC2603
nQ5	46367101	2SC2603
nQ6	46367101	2SC2603
•IC		
oIC1	49312200	TC9163N
oIC2	49475700	TC9164N
oS1	07199301	Push SW., MM/MC
oS2	48005100	Slide SW., REC SELECTOR
oZ17	48528400	2P Terminal, CD
oZ18	48528600	6P Terminal, LINE, TUNER, PHONO
oZ19	48528500	4P Terminal, TAPE, PROCESSOR

3-2. F-6318 VIDEO Selector Board

<Stock No. 01200701=XX, SS, UL, CSA, EU/01200700=00>

Parts No.	Stock No.	Description
oZ1	49474200	3P Terminal, DBS/AUX
oZ2	49474200	3P Terminal, VDP
oZ3	49474200	3P Terminal, VIDEO-1 (REC)
oZ4	49474200	3P Terminal, VIDEO-1 (PLAY)
oZ5	49474200	3P Terminal, VIDEO-2 (REC)
oZ6	49474300	3P Terminal, VIDEO-2 (PLAY)
oZ7	49474100	1P Terminal, MONITOR OUT
•Transistor		
rQ1~9	46367101	2SC2603
•IC		
riC1~3	07224800 or 46255000	TC4066BP LC4066BH
riC4~12	49475500	NJM2245D
Δ rR52~60	46403500	180Ω 1/2W N.I.R.
Δ rR61, 62	46240800	4.7Ω 1W N.I.R.

3-3. F-6319 S-VIDEO Terminal Board

Parts No.	Stock No.	Description
oZ8	49473900	Mini Socket, DBS/AUX (OO)
oZ9	49473900	Mini Socket, VDP (OO)
oZ10	49473900	Mini Socket, VIDEO-1 (S-IN)
oZ11	49473900	Mini Socket, VIDEO-1 (S-OUT)
oZ12	49473900	Mini Socket, VIDEO-2 (S-IN)
oZ13	49473900	Mini Socket, VIDEO-2 (S-OUT)
oZ14	49473900	Mini Socket, MONITOR (S-OUT)

3-4. F-6323 R-Control Signal Receiver Board

Parts No.	Stock No.	Description
oZ15	49356200	Remote Receive Unit GP1U521X

3-5. F-6320 Control Volume Board

<Stock No. 01200901=XX, SS, UL, CSA, EU/01200900=00>

Parts No.	Stock No.	Description
jC5	48103000	0.22μF 50V E.B.
jC12	48103000	0.22μF 50V E.B.
jVR1	48569600	250kΩx2 V.R., BALANCE
jVR3	49476000	50kΩ V.R., BASS
jVR4	49476000	50kΩ V.R., TREBLE
•Transistor		
IQ4	46540801	2SC2878
	or 46604301	2SC3327
•Diode		
ID8	03117600	1S2473T77
	or 46086000	1S1588TP-3
•Zener Diode		
nDZ1	49301400	05AZ3.3-X
	or 49301500	05AZ3.3-Z
nDZ2	49301400	05AZ3.3-X
	or 49301500	05AZ3.3-Z
•LED		
nLD1	48904700	SEL3810A, PROCESSOR
nLD2	48904700	SEL3810A, MUTING
nLD3	48904700	SEL3810A, TAPE MONITOR
oS12	49386100	Push SW., PROCESSOR
oS13	49386100	Push SW., MUTING
oS14	49506000	Push SW., SUBSONIC
oS15	49480700	Rotary SW., SOURCE DIRECT
oS16	49506000	Push SW., LOUDNESS
oS17	49506000	Push SW., TONE
oS18	49495400	Push SW., TAPE MONITOR

3-6. F-6321 VOLUME Board

Parts No.	Stock No.	Description
jC15	48103500	2.2μF 50V E.B.
jVR2	49479800	150kΩ Bx2 V.R., VOLUME with motor

3-7. F-6322 PHONES Jack Board

Parts No.	Stock No.	Description
oS27	49481800	Rotary SW., SPEAKERS
oJ1	49474000	Jack, PHONES

3-8. F-6325 Power Fuse Board

Parts No.	Stock No.	Description
Δ pF1	48721700	Fuse 4.0A (XX, SS)
Δ	48722000	Fuse 7.0A (UL, CSA, OO)

<F-6325>

Parts No.	Stock No.	Description
Δ pF1	49297500	Fuse 4.0A (EU)
Δ pF2	48721700	Fuse 4.0A (XX, SS)

3-9. F-6324 Power Supply Board

<Stock No. 01201301=XX, SS, UL, CSA, EU/01201300=00>

Parts No.	Stock No.	Description
•Transistor		
Δ mQ1	46728901	2SC3298
Δ	or 48508801	2SC3851
Δ	or 49349400	2SD2012
Δ mQ2	46728801	2SA1306
Δ	or 48509101	2SA1488
Δ	or 49349500	2SB1375
mQ3	46728901	2SC3298
	or 48508801	2SC3851
	or 49349400	2SD2012
•IC		
Δ mIC1	49318900	μPC78M08HF
Δ	or 49440600	NJM78M08FA
Δ mIC2	49410700	μPC7805HF
Δ	or 49420700	NJM7805FA
Δ mIC3	49474700	NJM7905FA
Δ	or 49484300	μPC7905HF
•Diode		
Δ mD1	48667600	FMU-22S
Δ mD2	48667700	FMU-22R
Δ mD3	03117000	RB152-LFF
Δ mD4	03117000	RB152-LFF
Δ mD5	03117700	10E-2
Δ mD6	03117700	10E-2
mD8	03117600	1S2473T77
	or 46086000	1S1588TP-3
mD9	03117600	1S2473T77
	or 46086000	1S1588TP-3
•Zener Diode		
mDZ1	49306600	05AZ18-X
	or 49306700	05AZ18-Y
mDZ2	49306600	05AZ18-X
	or 49306700	05AZ18-Y
mDZ3	49307900	05AZ24-Z
	or 49308000	05AZ24-R
Δ mR1, 2	46405800	15kΩ 1/2W N.I.R.
Δ mR3	00067400	10Ω 2W N.I.R. (OO)
Δ mR4, 5, 8	46402400	22Ω 1/2W N.I.R.
Δ mR10	46404400	1kΩ 1/2W N.I.R.
Δ mC1	08680400	0.01μF 500V C.C.
Δ mC2	08680400	0.01μF 500V C.C.
Δ mC3	08680400	0.01μF 500V C.C.
Δ mC4	08680400	0.01μF 500V C.C.
Δ mC5	08680400	0.01μF 500V C.C.
mC6	49487900	10000μF 71V E.C.
mC7	49487900	10000μF 71V E.C.
Δ mC8	08680400	0.01μF 500V C.C.
Δ mC19	08680400	0.01μF 500V C.C.

3-10. F-6327 PROTECTOR Indication Board

Parts No.	Stock No.	Description
nLD4	48265500	SEL2813A

3-11. F-6328 Function Switch Board

Parts No.	Stock No.	Description
•LED		
nLD5	49475900	SEL2813A, CD
nLD6	49475900	SEL2813A, LINE
nLD7	49475900	SEL2813A, TUNER
nLD8	49475900	SEL2813A, PHONO
nLD9	49475900	SEL2813A, VIDEO-2
nLD10	49475900	SEL2813A, VIDEO-1
nLD11	49475900	SEL2813A, VDP
nLD12	49475900	SEL2813A, DBS/AUX
oS19	49346700	Push SW., CD
oS20	49346700	Push SW., LINE
oS21	49346700	Push SW., TUNER
oS22	49346700	Push SW., PHONO
oS23	49346700	Push SW., VIDEO-2
oS24	49346700	Push SW., VIDEO-1
oS25	49346700	Push SW., VDP
oS26	49346700	Push SW., DBS/AUX

3-12. F-3629 Speakers Terminal Board

Parts No.	Stock No.	Description
Δ KR39	46624700	220Ω 2W N.I.R.
Δ KR100	46907800	10Ω 3W N.I.R.
•Diode		
ID6	48123600	11E2
ID7	03117600	1S2473T77
	or 46086000	1S1588TP-3
IRL1	46948200	Relay
	or 49358900	Relay
IRL2	46948200	Relay
	or 49358900	Relay
IRL3	48057001	Relay
oZ16	07203600	8P Terminal, SPEAKERS (XX, SS, UL, CSA, EU)
	46739500	8P Terminal, SPEAKERS (OO)

3-13. F-6330 Power Amp. Board

<Stock No. 01201901=XX, SS, UL, CSA, EU/01201900=00>

Parts No.	Stock No.	Description
•Transistor		
kQ1	46581701	2SC1845
kQ2	46581701	2SC1845
kQ3	46581701	2SC1845
kQ4	46581601	2SA992
kQ5	46581601	2SA992
kQ6	46728201	2SA1145
Δ kQ7	46581701	2SC1845
kQ8	46728301	2SC2705
kQ9	46581701	2SC1845
kQ10	46728301	2SC2705
kQ11	46728201	2SA1145
kQ12	46728901	2SC3298
kQ13	46728801	2SA1306
Δ kQ14	48844001	2SC3858LF (XX, SS, UL, CSA, EU)
Δ	48844201	2SC3856LF (OO)
Δ kQ15	48843901	2SA1494LF (XX, SS, UL, CSA, EU)
Δ	48844101	2SA1492LF (OO)

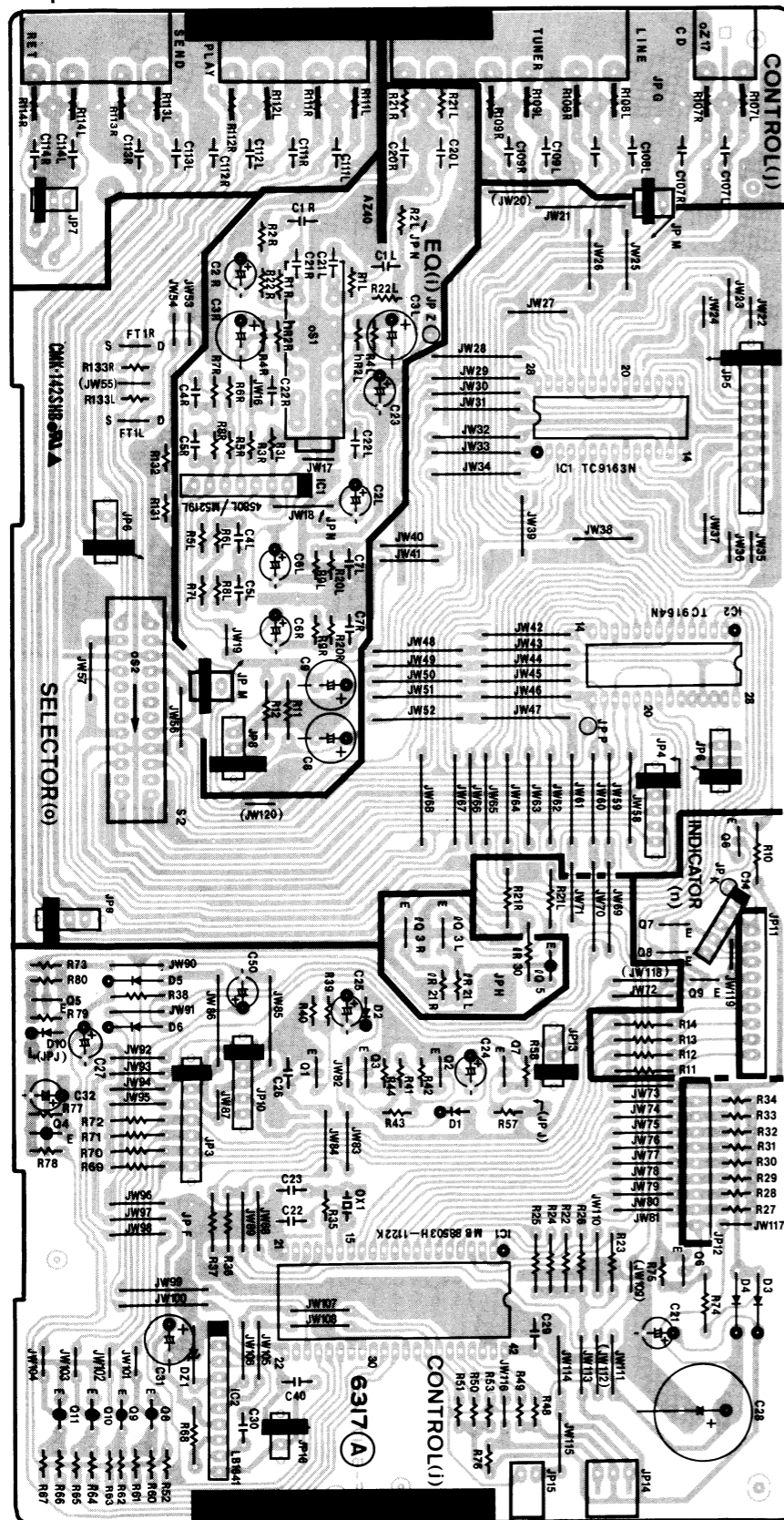
<F-6330>

Parts No.	Stock No.	Description
•FET		
kFT1	48583300	μPA68HA-L
	or 48583301	μPA68HA-M
•Diode		
kD1	03117600	1S2473T77
	or 46086000	1S1588TP-3
kD2	48731500	Varistor SV-03YS
kD3	48731500	Varistor SV-03YS
•Zener Diode		
kDZ1	49307400	05AZ22-Y
	or 49307500	05AZ22-Z
	or 49307600	05AZ22-R
kDZ2	49303200	05AZ6.2-X
	or 49303300	05AZ6.2-Y
	or 49303400	05AZ6.2-Z
Δ KR4	46401200	2.2Ω 1/2W N.I.R.
Δ KR12, 13	46404300	820Ω 1/2W N.I.R.
Δ KR17	46403000	68Ω 1/2W N.I.R.
Δ KR18, 19	46404300	820Ω 1/2W N.I.R.
Δ KR25	46403000	68Ω 1/2W N.I.R.
Δ KR30, 31	46403200	100Ω 1/2W N.I.R.
Δ KR32	46404400	1kΩ 1/2W N.I.R.
Δ KR33	46403300	120Ω 1/2W N.I.R.
Δ KR34, 35	46401600	4.7Ω 1/2W N.I.R.
Δ KR36	46184100	0.22Ωx2 5W Ce.R.
Δ KR37	46907800	10Ω 3W N.I.R.
kC2	48683500	100μF 25V E.C.
kC6	48672900	100μF 16V E.C.
	or 48683500	100μF 25V E.C.
KL1	46851900	0.8μH Inductor
	or 46851901	0.82μH Filter Coil
kVR1	10350100	100Ω (B) S.V.R., DC 0V
kVR2	10350700	1kΩ B S.V.R., Bias adj.
•Transistor		
IQ1	46581701	2SC1845
IQ2	46581601	2SA992
•IC		
Δ IIC1	46207600	TA7317P
•Diode		
ID1	03117600	1S2473T77
	or 46086000	1S1588TP-3
ID2	03117600	1S2473T77
	or 46086000	1S1588TP-3
ID3	03117600	1S2473T77
	or 46086000	1S1588TP-3
ID4	03117600	1S2473T77
	or 46086000	1S1588TP-3
ID5	48123600	11E2
Δ IR16	46404100	560Ω 1/2W N.I.R.
Δ IR20	46402000	10Ω 1/2W N.I.R.
IC6	48104200	220μF 6.3V E.B.
•Transistor		
nQ1	46581701	2SC1845
nQ2	46581701	2SC1845
•Diode		
nD1	03117600	1S2473T77
	or 46086000	1S1588TP-3

4. PARTS LOCATION ON BOARD

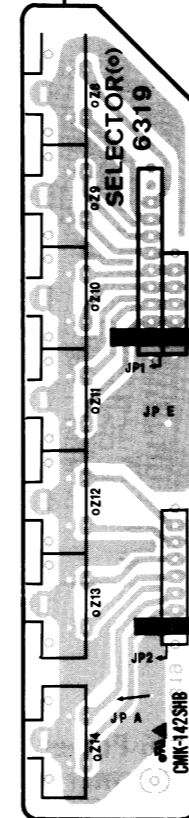
4-1. F-6317 INPUT Terminal & EQ Amp. Board

Component Side



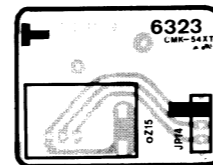
4-2. F-6319 S-VIDEO Terminal Board

Component Side



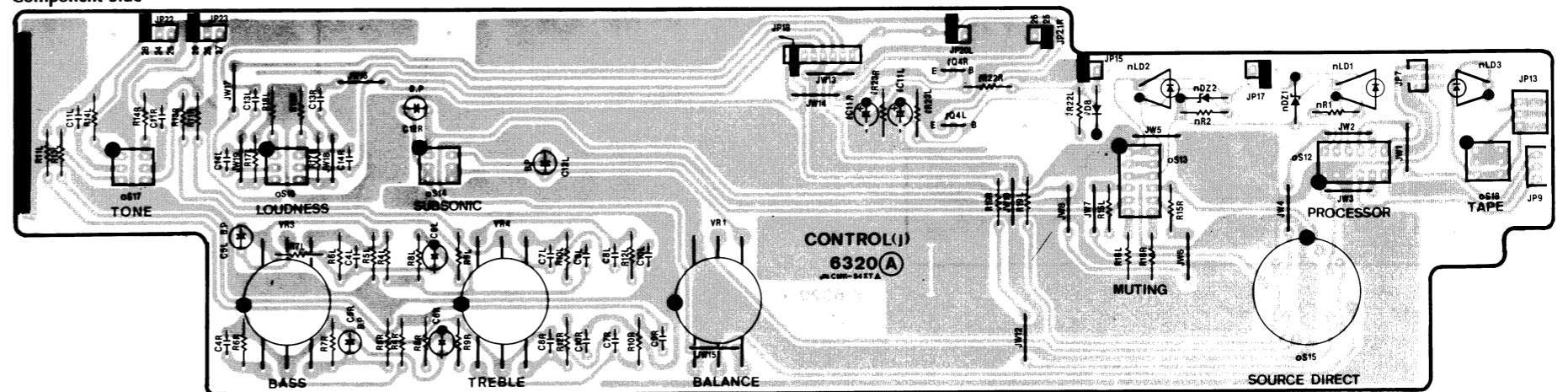
4-3. F-6323 R.Control Sig. Receiver Board

Component Side



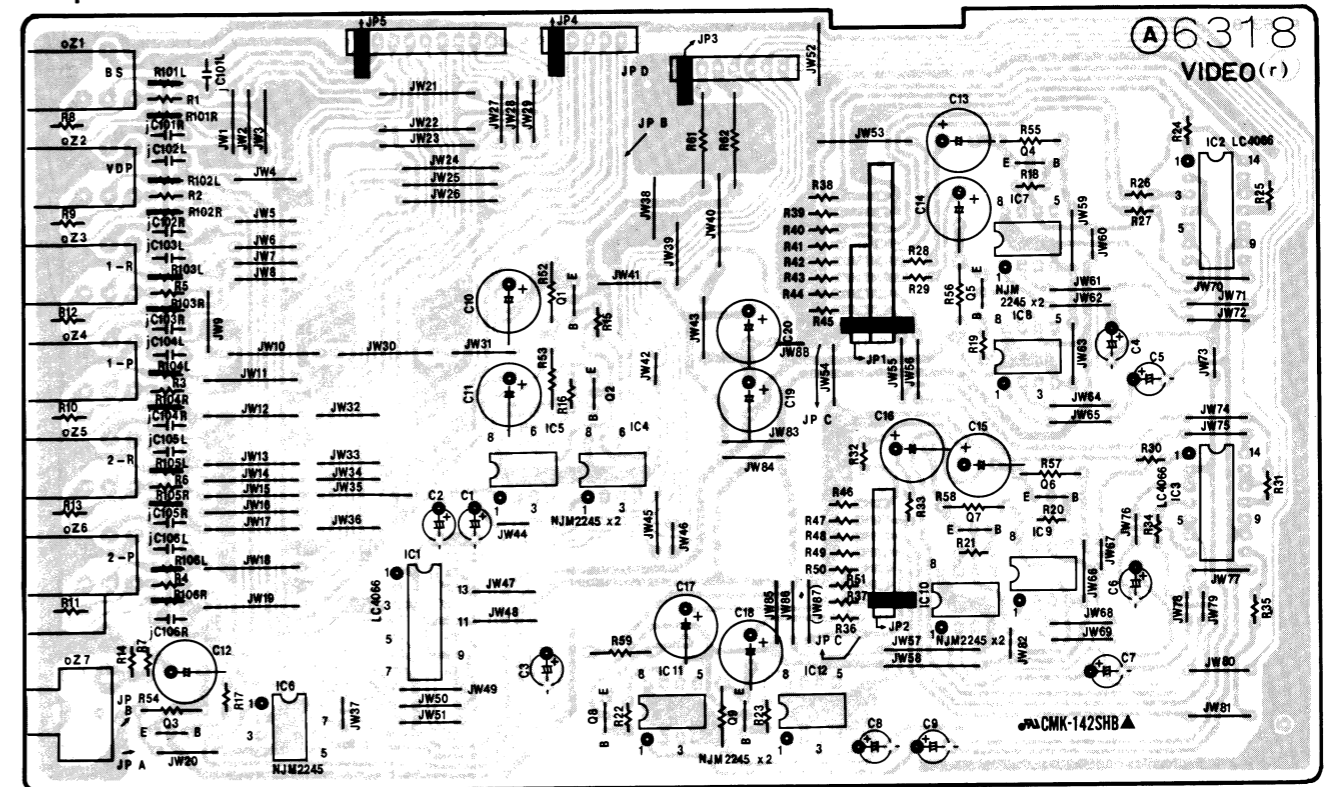
4-4. F-6320 Control Volume Board

Component Side



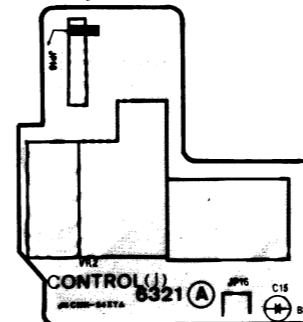
4-5. F-6318 VIDEO Selector Board

Component Side



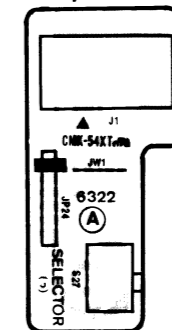
4-6. F-6321 VOLUME Board

Component Side



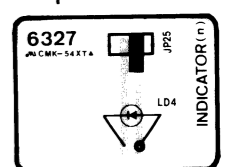
4-7. F-6322 PHONES Jack Board

Component Side



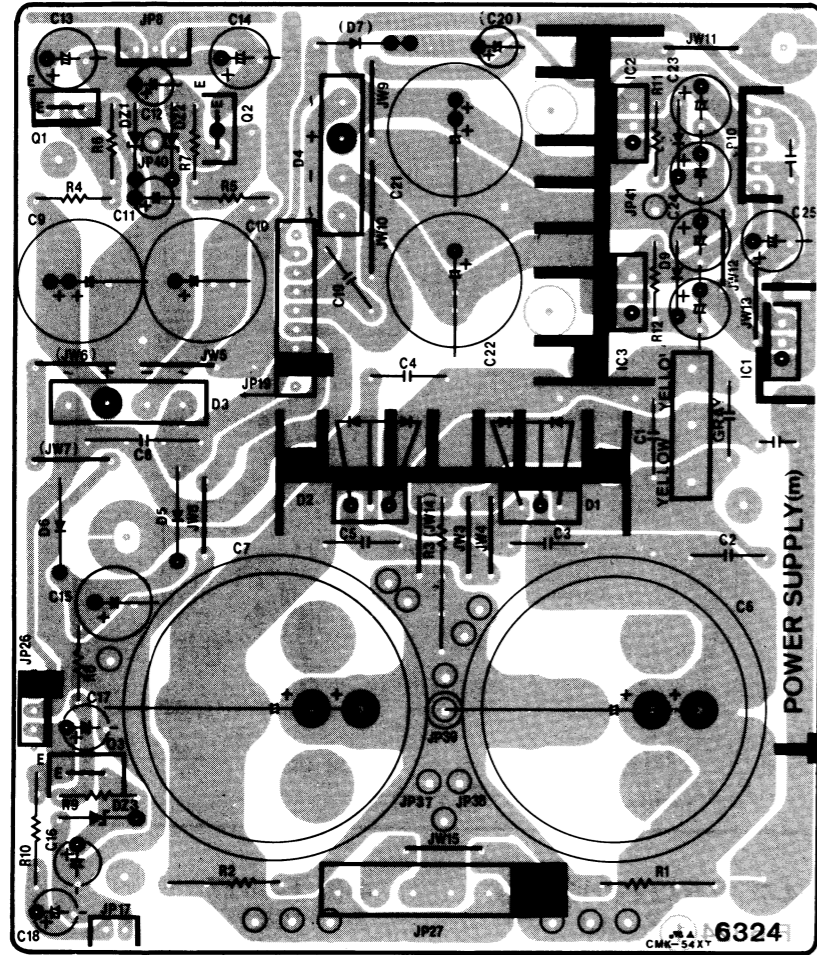
4-8. F-6327 PROTECTOR Ind. Board

Component Side



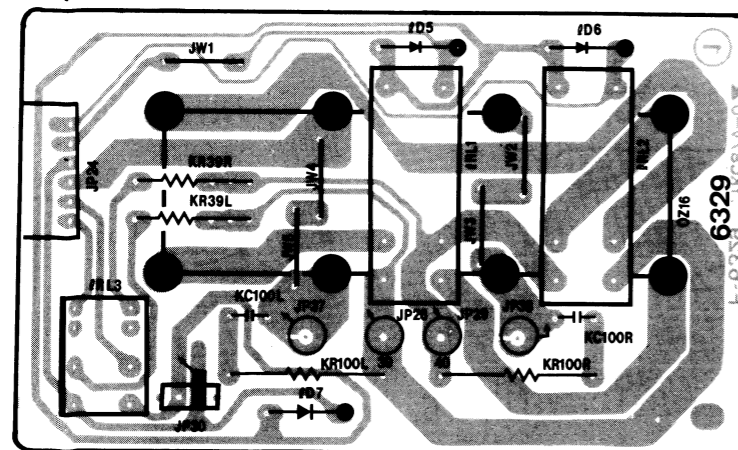
4-9. F-6324 Power Supply Board

Component Side



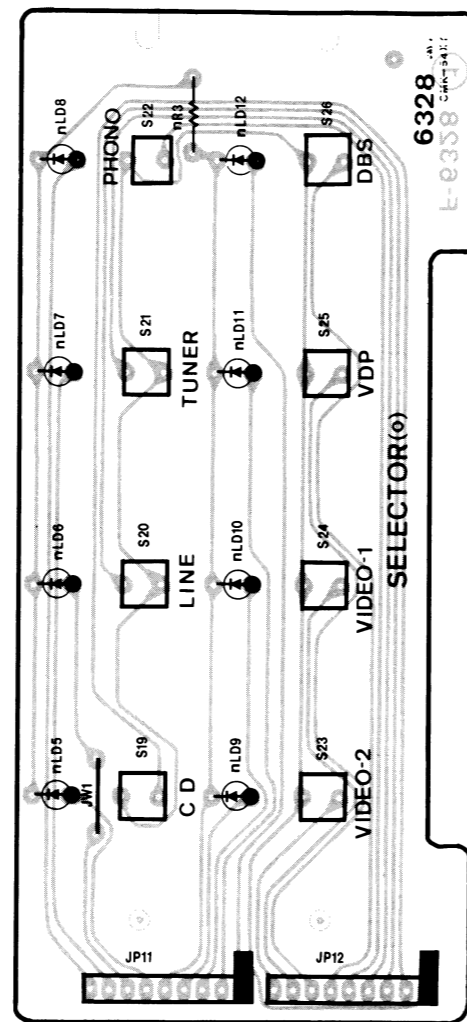
4-11. F-6329 Speakers Terminal Board

Component Side



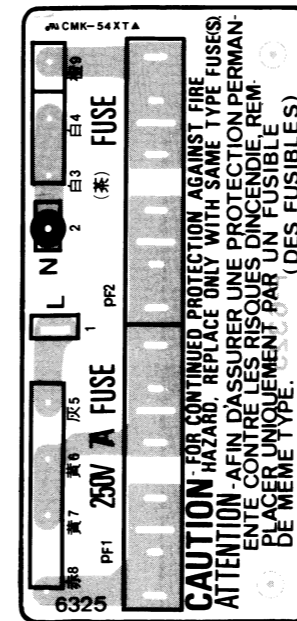
4-10. F-6328 Function Switch Board

Component Side



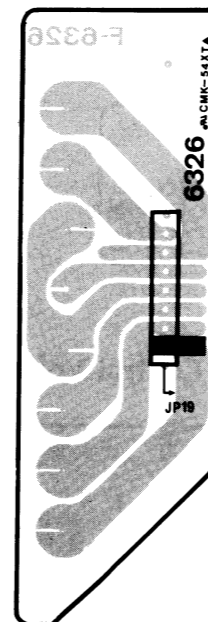
4-12. F-6325 Power Fuse Board

Component Side



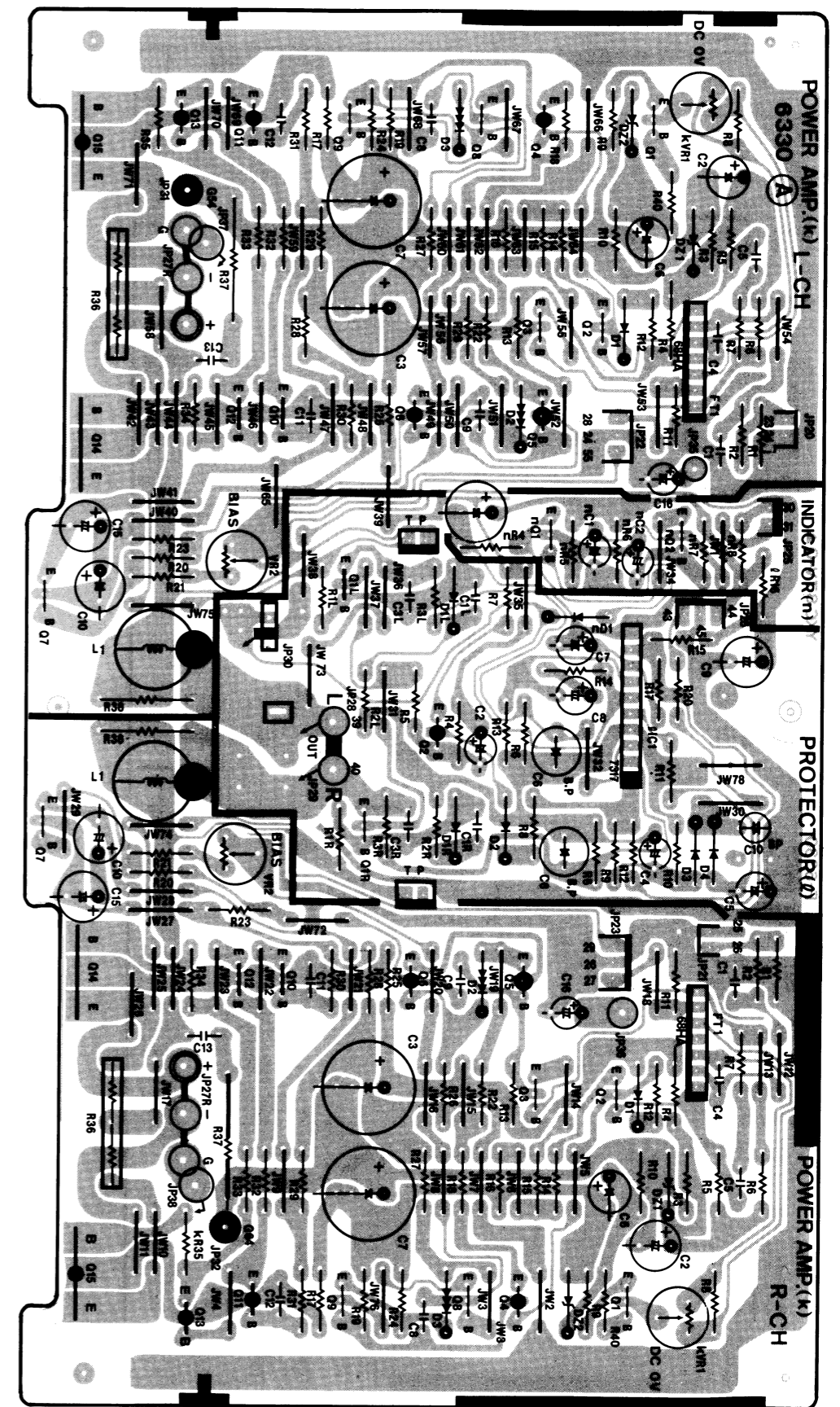
4-13. F-6326 Power Transformer Terminal Board

Component Side



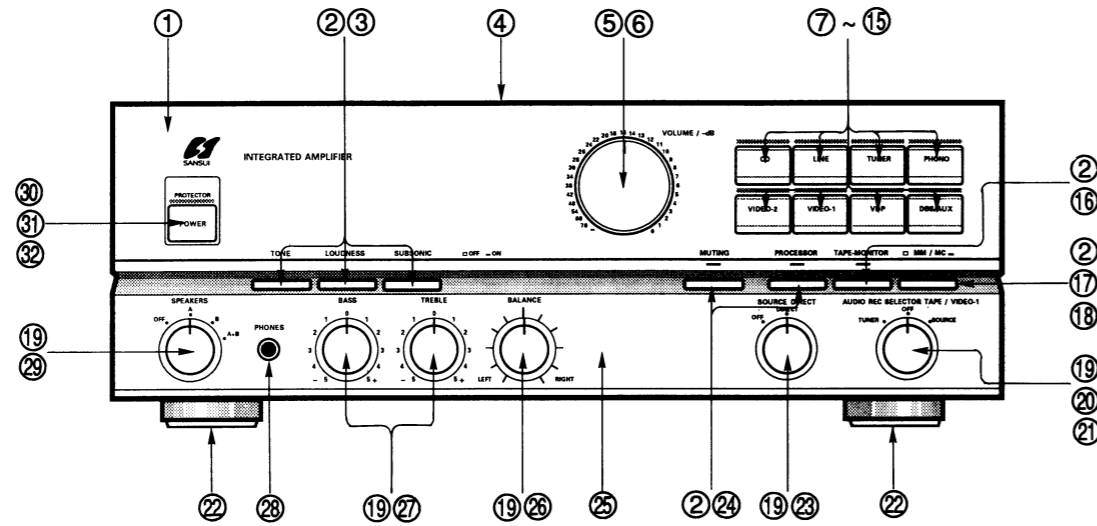
4-14. F-6330 Power Amp. Board

Component Side

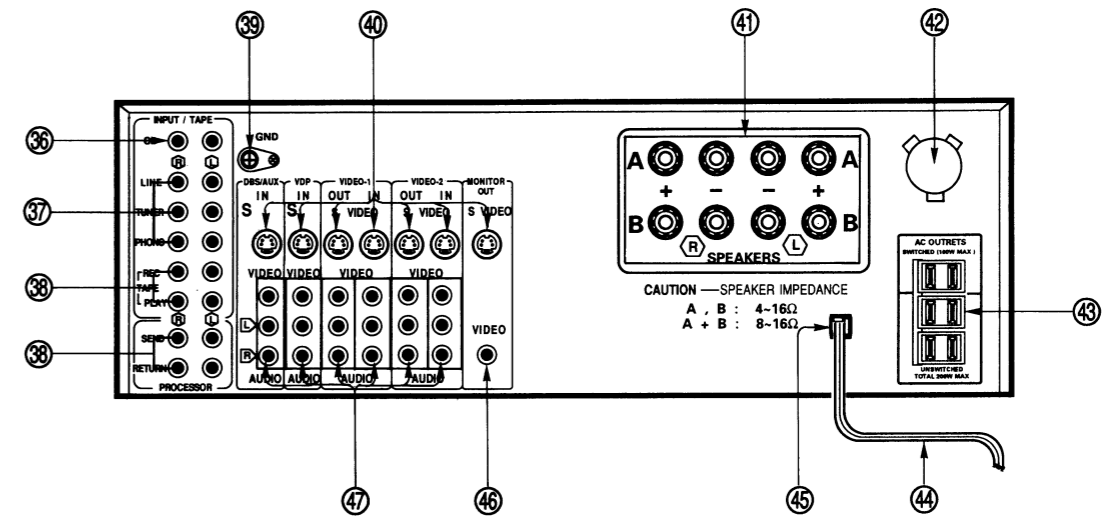


5. OTHER PARTS

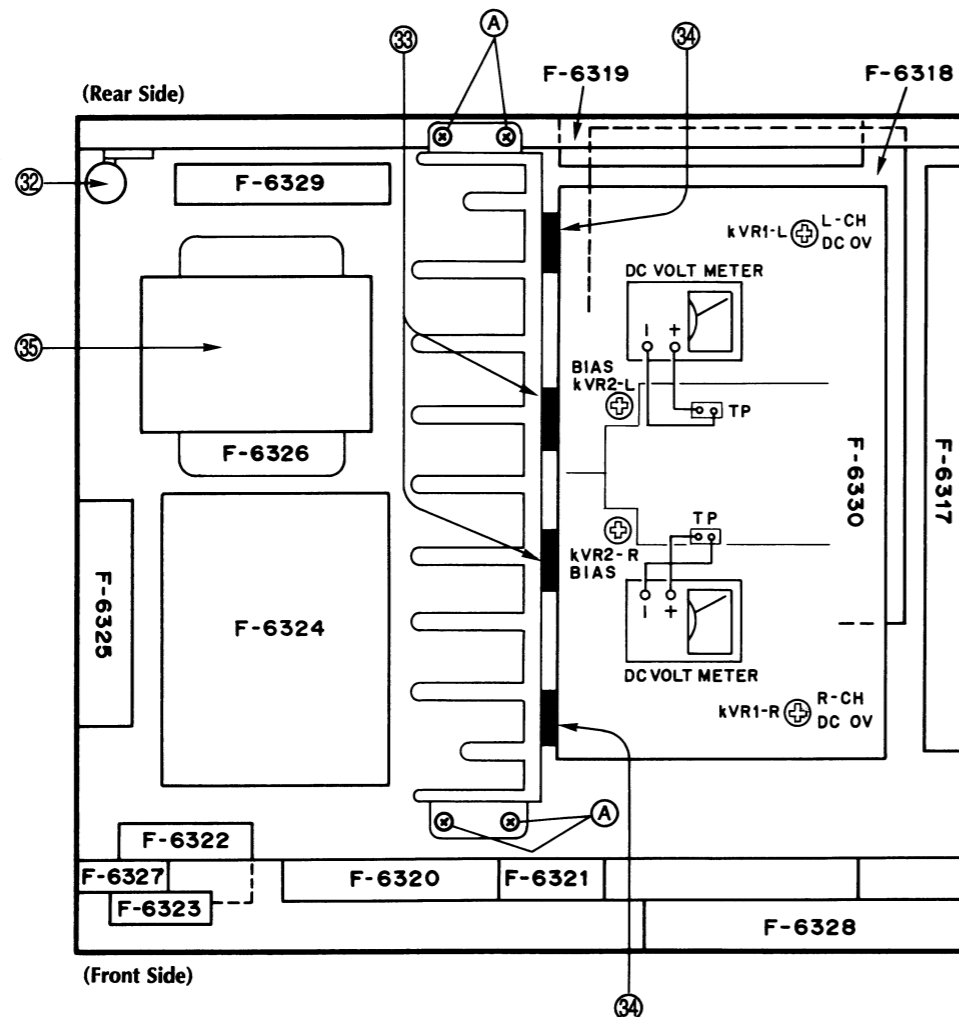
• Front View



• Rear View



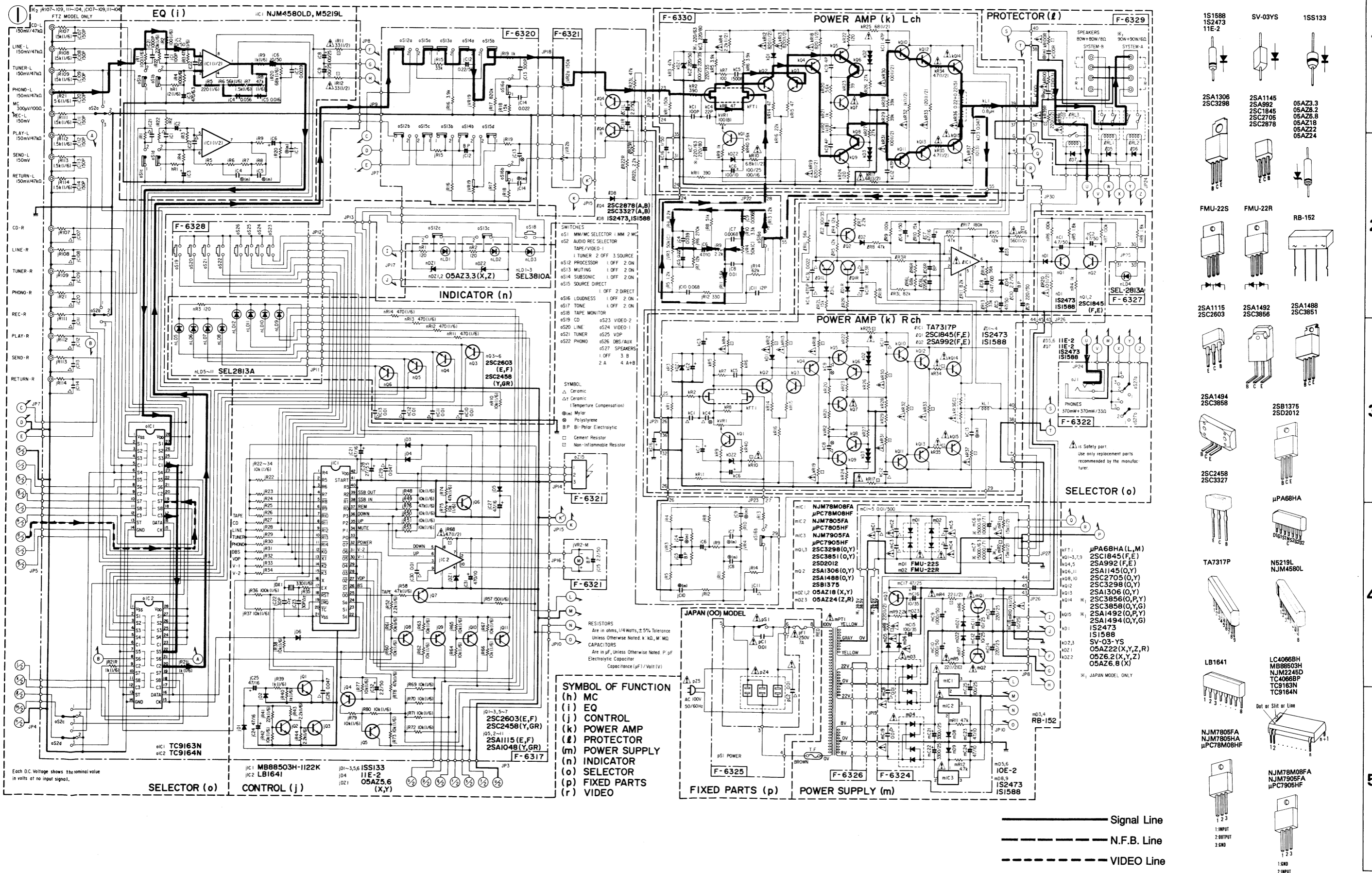
• Top View



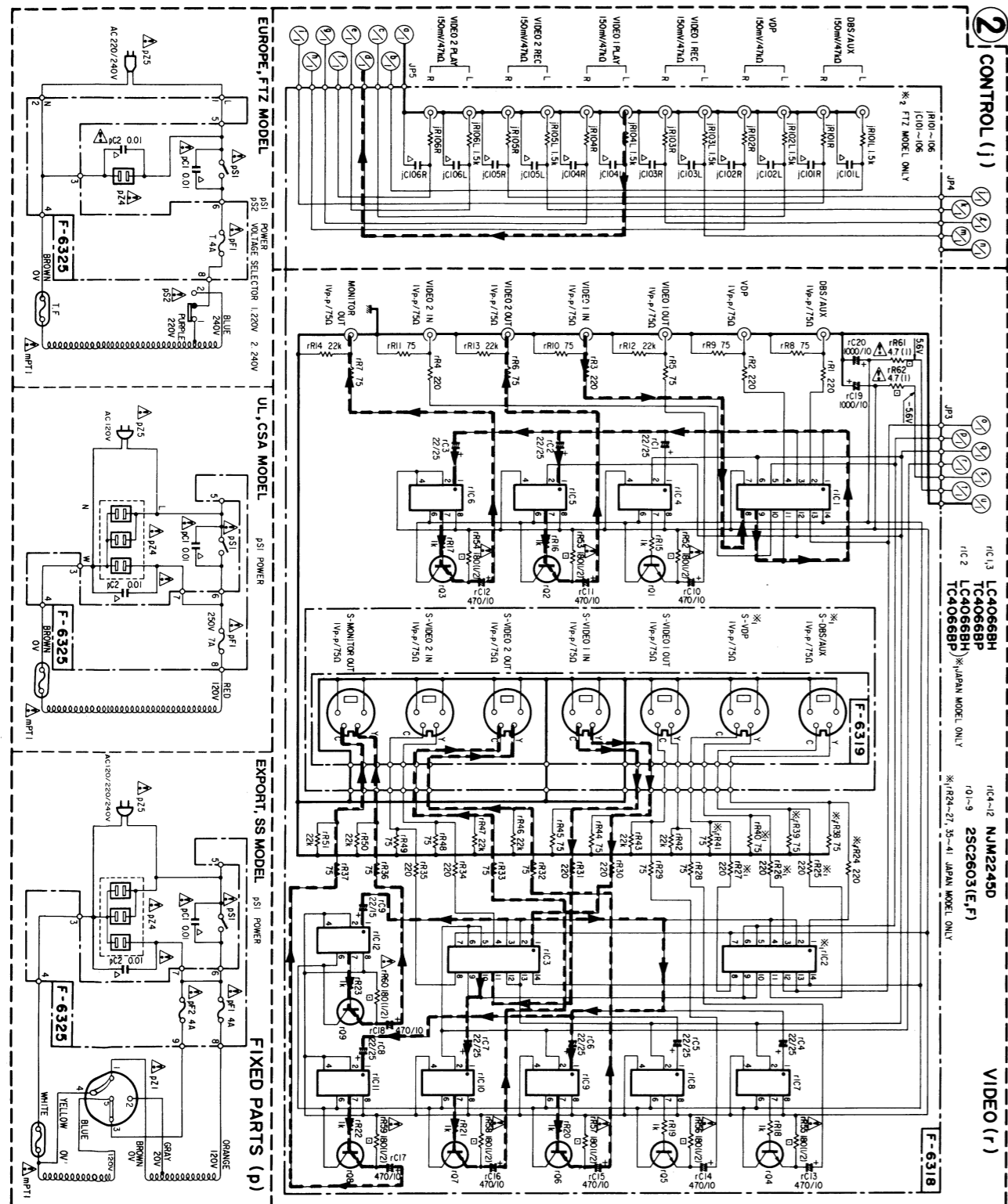
Parts No.	Stock No.	Description	Parts No.	Stock No.	Description
1	27827200	Front Panel Ass'y-A (OO)	28	49474000	Jack, PHONES
	27830600	Front Panel Ass'y-A (XX, SS, UL, CSA, EU)	29	49481800	Rotary SW., SPEAKERS
2	27715400	Knob, TONE, LOUDNESS, SUBSONIC, MUTING, PROCESSOR, TAPE MONITOR MM/MC	30	27806100	Knob, POWER
3	49506000	Push SW., TONE, LOUDNESS, SUBSONIC	Δ 31	48113300	Push SW., POWER
4	27809100	Bonnet (OO, XX SS UL CSA)	Δ 32	46425800	0.01μF 400V C.C.
	27830700	Bonnet Ass'y (EU)	Δ	46943200	0.01μF 400V C.C.
5	27827000	Knob, VOLUME	Δ	49236800	0.01μF 250V C.C. (OO)
6	49479800	150kΩ V.R., VOLUME with motor	Δ 33	48844001	2SC3858LF (XX, SS, UL, CSA, EU)
7	27803900	Knob, CD	Δ	48844201	2SC3856LF (OO)
8	27804000	Knob, LINE	Δ 34	48843901	2SA1494LF (XX, SS, UL, CSA, EU)
9	27804100	Knob, TUNER	Δ	48844101	2SA1492LF (OO)
10	27804200	Knob, PHONO	Δ 35	15036800	Power Transformer (OO)
11	27804300	Knob, VIDEO-1	Δ	15036809	Power Transformer (XX, SS)
12	27804400	Knob, VIDEO-2	Δ	15036802	Power Transformer (UL)
13	27804500	Knob, VDP	Δ	15036803	Power Transformer (CSA)
14	27804600	Knob, DBS/AUX	Δ	15036805	Power Transformer (EU)
15	49346700	Tact SW., DC, LINE TUNER, PHONO, VIDEO-1, VIDEO-2, VDP, DBS/AUX	36	48528400	2P Terminal, CD
16	49495400	Push SW., TAPE MONITOR	37	48528600	6P Terminal, PHONO, TUNER, LINE
17	27827100	Joint Ass'y	38	48528500	4P Terminal, TAPE, PROCESSOR, SEND, RETURN
18	07199301	Push SW., MM/MC	39	48587600	Ground Terminal
19	27697600	Knob, AUDIO REC SELECTOR, BASS, TREBLE, SOURCE DIRECT, BALANCE, SPEAKERS	40	49473900	Mini Socket, S-VIDEO-1, S-VIDEO, S-MONITOR, S-DBS/AUX, S-VDP
20	49481900	Rotary Operation, AUDIO REC SELECTOR	41	07203600	8P Terminal, SPEAKERS
21	48005100	Slide SW., AUDIO REC SELECTOR	Δ 42	48175200	Plug, voltage selector (XX, SS)
22	84586400	Leg	Δ	07204700	Slide SW., voltage selector (EU)
23	49480700	Rotary SW., SOURCE DIRECT	Δ 43	46730400	AC OUTLET (OO, XX, SS)
24	49386100	Push SW., MUTING, PROCESSOR	Δ	48184700	AC OUTLET (UL, CSA)
25	27827300	Front Panel Ass'y-B	Δ	46161000	AC OUTLET (EU)
26	48569600	250kΩ V.R., BALANCE	Δ 44	46541000	Power Supply Cord (OO)
27	49476000	50kΩ V.R., BASS, TREBLE	Δ	48187800	Power Supply Cord (UL, CSA)
			Δ	46321000	Power Supply Cord (XX)
			Δ	48837700	Power Supply Cord (SS)
			Δ	46128900	Power Supply Cord (EU)
			45	39104900	Strain Relief (OO)
				49374300	Strain Relief (XX, SS, UL, CSA, EU)
			46	49474100	1P Terminal, MONITOR
			47	49474200	3P Terminal, DBS/AUX, VDP, VIDEO-1, VIDEO-2

6. SCHEMATIC DIAGRAM 6-1. Main Section

* Design and specifications subject to changes without notice for improvements.



6-2. VIDEO Selector Section



RESISTORS
Are in ohms, 1/8 W, ±5%, Silver
Unless Otherwise Noted, K, Ω, Ω

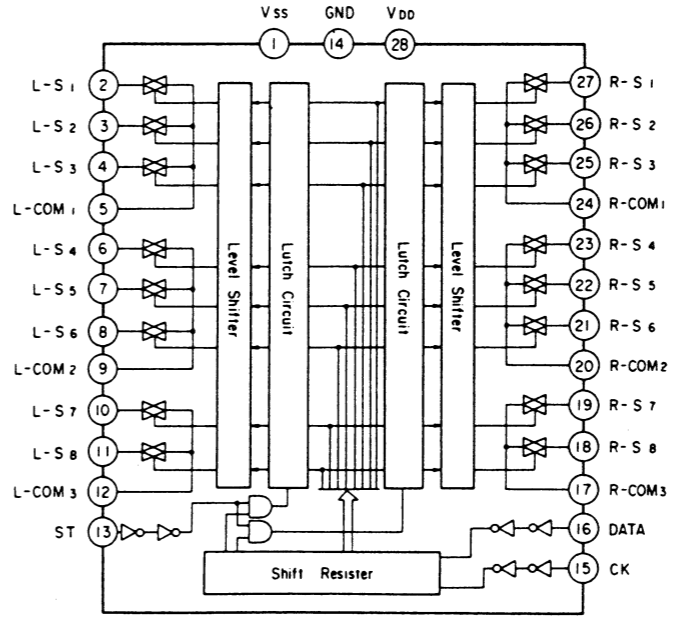
CAPACITORS
Are in pF, Unless Otherwise Noted, P, pF
Electrolytic Capacitor
Capacitance (µF) / Volt (V)

SYMBOL
△ Ceramic
□ Non-Inductance Resistor
Each D.C. Voltage shows the nominal value
in volts or no input signal
during recording

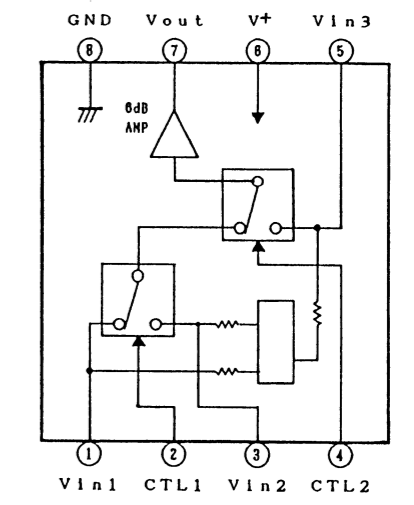
▲ is Safety part.
Use only replacement parts recommended
by the manufacturer.

7. INTERIOR BLOCK DIAGRAM & TERMINAL FUNCTION OF ICS

• TC9163N (Analog Switch)

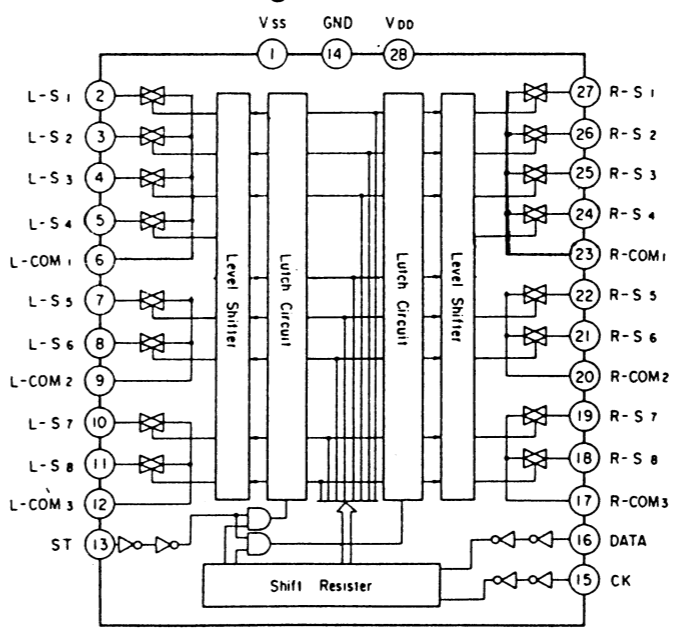


• NJM2245 Z (Analog Switch)

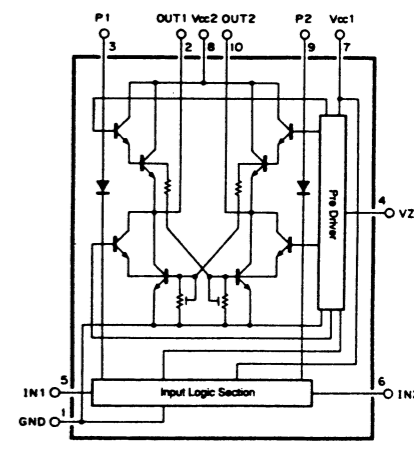


CTL1	CTL2	Vout
L	L	Vin1
H	L	Vin2
L/H	H	Vin3

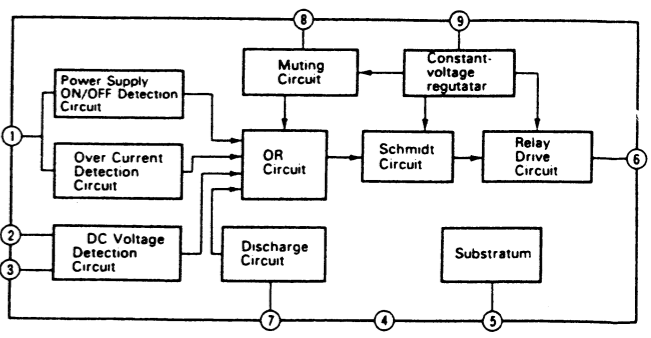
• TC9164N (Analog Switch)



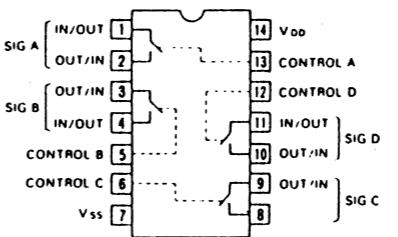
• LB1641 <Motor Drive>



• TA7317P (Protector)



• LC4066BH/TC4066BP (Analog Sw.)



• MB88503H-1122K (Control)

Pin Name	Pin No.	Active	Function
REMOCON	R ₀	37 L	Remote controller input terminal.
SSB IN	R ₁	38 L	SSB (Sansui serial bus data) input terminal. (SSB output monitor only.)
SSB OUT	R ₂	39 H	SSB output terminal (for TUNER and DECK control).
	R ₃	40	
STAND-BY A EXISTENCE	R ₄	1 H→YES L→NO	Microcomputer stand-by A mode selector switch.
POWER SW (SW12)	R ₅	2 L	Output power control switch.
Dig/AN Selector (SW14)	R ₆	3 H→Dig L→Ana.	Digital/Analog mode selector.
ST	R ₇	4 H	Strobe output for analog switch TC 916.
Selector switch (SW1) (SW11)	R ₈	5 L	Tact switch. Input for selector output switching. SW1 and SW2 are exclusive terminals for digital Amps.
	K ₃	15	
TAPE/SOURCE (LED)	O ₀	25 L	Output for TAPE/SOURCE LED.
BS/Digi.1 (SW1)	O ₁	26 L	Video signal/digital signal selector output. Correspond to SW8-SW11.
	O ₂	27	
	O ₅	30	
VCR/DAT	O ₆	31	
	O ₃	28 L	
DAC OUT	O ₄	29 L	Selector output for DAC output switch. Linked to SW8-SW10.
Dig OUT	O ₄	29 L	Digital output. Linked to SW8-SW10. OFF when SW11, video REC selector for VCR2 is ON.
KMODE	P ₀	33 L	RESET output for DAC.
CK	SC	22	Synchro-clock output for TC916*N (Switches data at falling point). Period is 20μs or longer, less than 70μs.
DATA	SO	24	Serial data output (positive logic).
POWER DOWN	IRQ	19 L	Power OFF detecting terminal (for starting B mode).
WAKE UP-A	START	41 H	Input for A stand-by reset.
WAKE UP-B	RESET	18 L	Input for B stand-by reset, or power ON reset.
POWER	O ₇	32 L	Power relay ON/OFF output.
MUTE	P ₁	34 H	Mute ON output (regularly 50ms).
MOTOR VR UP/DOWN	P ₂	35 H	Motor VR UP or DOWN on reception of commands from remote controller.
	P ₃	36 H	
POWER CONTROL ON/OFF	TC	20 C→OFF H→ON	Reset to power OFF at power control is "OFF" (connected with R7). Reset to power ON at power control is "ON" (open).

• MB88503H-1122K (コントロール)

端子名	ピンNo.	アクティブ	機能
リモコン	R ₀	37 L	リモコン入力端子
SSB IN	R ₁	38 L	SSB入力端子 (SSB出力モニターのみ)
SSB OUT	R ₂	39 H	SSB出力端子 (TUNER, DECKコントロール用)
	R ₃	40	
スタンバイ A 有/無	R ₄	1 H→有 L→無	マイコンスタンバイAモード有無選択 SW
POWER SW (SW12)	R ₅	2 L	POWER (P ₀)出力コントロール用SW
Dig/AN切換 (SW14)	R ₆	3 H→Dig L→AN	セレクトモードの切換 Dig(デジタル)→H AN(アナログ)→L
ST	R ₇	4 H	アナログSW TC916*用ストロブ出力
セレクト SW	R ₈	5 L	タクトSW セレクト出力切換入力SW SW1, SW2はデジタルアンプ専用
	K ₃	15	
TAPE/SOURCE (LED)	O ₀	25 L	TAPE/SOURCE LED専用出力
BS/Digi.1 (SW1)	O ₁	26 L	セレクト出力 映像信号/デジタル信号用 SW8~SW11に対応
	O ₂	27	
	O ₅	30	
VCR/DAT	O ₆	31	
	O ₃	28 L	
DAC OUT	O ₄	29 L	DAC出力側SW切換出力SW8~SW11に連動
Dig OUT	O ₄	29 L	デジタル出力用及びSW8~SW10に連動 VCR2の映像REC用切換出力SW11の時はOFF
KMODE	P ₀	33 L	DAC用RESET出力 *L*→DAC ON
CK	SC	22	TC916*N用同期クロック出力端子 (立ち下がりでDATAを切替える) 周期は20μs以上で70μs程度まで
DATA	SO	24	TC916*N用シリアルデータ出力端子 (正論理)
POWER DOWN	IRQ	19 L	POWER OFF検出端子 (Bモード起動用)
WAKE UP-A	START	41 H	Aスタンバイ復帰入力
WAKE UP-B	RESET	18 L	Bスタンバイ復帰入力, POWER ON RESET端子
POWER	O ₇	32 L	POWERリレーON/OFF出力
MUTE	P ₁	34 H	MUTE ON出力 (定常500ms)
モータ VR UP/DOWN	P ₂	35 H	モータVRをリモコンによりUP・DOWNさせる
	P ₃	36 H	
POWERコントロール ON/OFF	TC	20 OFF→L ON→H	POWERコントロール OFF→RESET時POWER "OFF" (R7と接続) ON→RESET時POWER "ON" (OPEN)

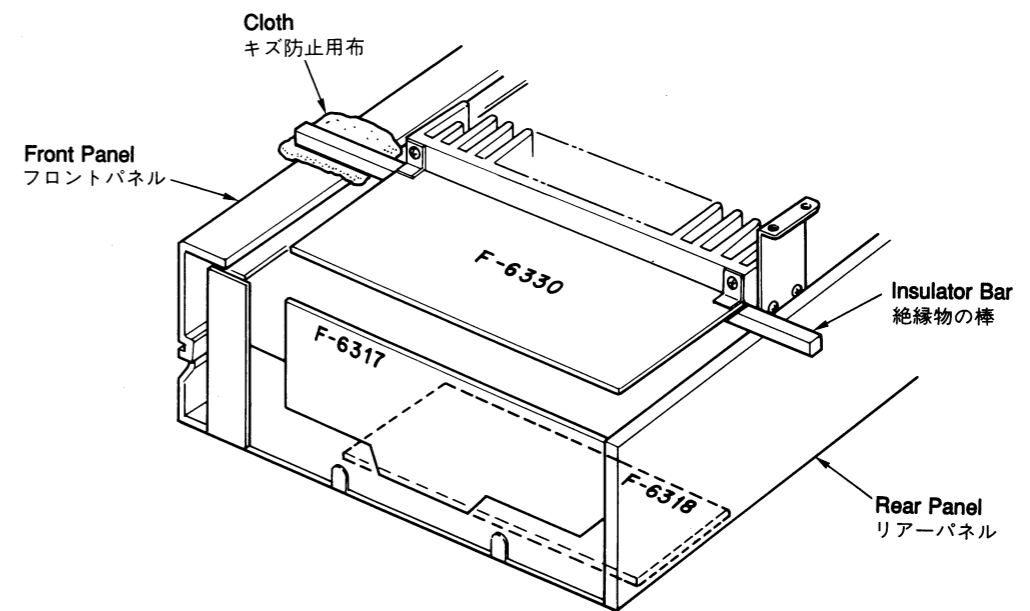
8. HOW TO PREPARE TO CHECK F-6318 BOARD

- 1) Remove the bonnet.
 - 2) Loosen four screws A in Top View on page 8.
 - 3) Cut the suitable wirebands.
 - 4) Pull up the radiator with F-6330 board and then pass a bar of insulator thru under the F-6330 board in Fig. 8-1.
- Note: Do not short the conducting portions.
Take care that the radiator and power transistors have a high heat while operating and just after.

8. F-6318基板をチェックするための準備

- 1) ボンネットを外す。
 - 2) 8ページのTop Viewに示すビスAを4本外す。
 - 3) 必要な束線を外す。
 - 4) F-6330基板ごと、ヒートシンカーブロックを持ち上げて、Fig. 8-1のようにF-6330基板の下に絶縁棒を通す。
- 注意
・通電部をショートさせないでください。
・動作中および、動作直後は、パワートランジスタとヒートシンカーが熱を持っていますので、十分に注意をしてください。

Fig. 8-1



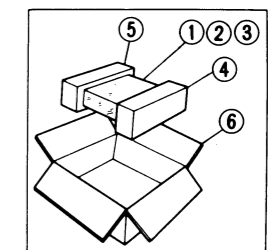
9. ACCESSORY LIST

Stock No.	Description
—	RS-1160 Remote Controller
—	Dry Battery (SUM-3K)
19057500	Operating Instructions (J)
19057600	Operating Instructions (E-F-S)
19057700	Operating Instructions (G-I-Sw)

10. PACKING LIST

Parts No.	Stock No.	Description
1	27414900	Polyethylene Sheet
2	27417500	Protector Paper
3	27608400	Vinyl Bag
4+5	27867900	Styrofoam Packing (pair)
6	27827400	Carton Case (OO)
	27827500	Carton Case (XX, SS, UL, CSA, EU)

- Note:
J: Japanese Version (日本語版)
E-F-S: English-French and Spanish Version
G-I-Sw: German-Italian and Swedish Version



SANSUI ELECTRIC CO., LTD.: 14-1, Izumi 2-chome, Suginami-ku, Tokyo 168 Japan
 PHONE: (03) 324-8891 / TELEX: 232-2076 (International Division)
 SANSUI ELECTRONICS CORPORATION: 1250 Valley Brook Ave. Lyndhurst, N.J. 07071 U.S.A.
 SANSUI ELECTRONICS G.M.B.H.: 1750 South Margay Ave. Carson, California 90746 U.S.A.
 Paul Ehrlich-Strasse 8, 6074 Rödermark 2, West Germany

山水電気株式会社

東京都杉並区和泉2-14-1(〒168)